

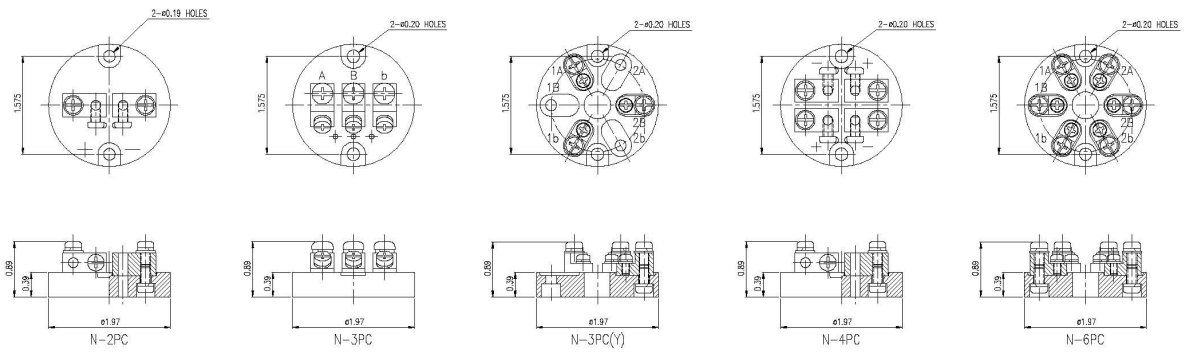
# Terminal Blocks: Standard Round



## TB SERIES: STANDARD ELLIPTICAL

Part No.	Description
N-2P-C	2 Pole
N-3PY-C	3 Pole w/ center hole
N-4P-C	4 Pole
N-6P-C	6 Pole w/ center hole

- Material: Al<sub>2</sub>O<sub>3</sub> 45%. Stronger than ceramic: resistant to cracking and flaking.
- Also available in bakelite
- 2, 3, 4 & 6 pole



To suit Connection Heads: XDA, XDS, CMS, KNE, BUZ, BUZW, KNPL, CSS, CCI, KNN & KPP